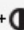


Pirce Suspension - White



IP 20     

Dimmable: +  -

DESSINÉ PAR

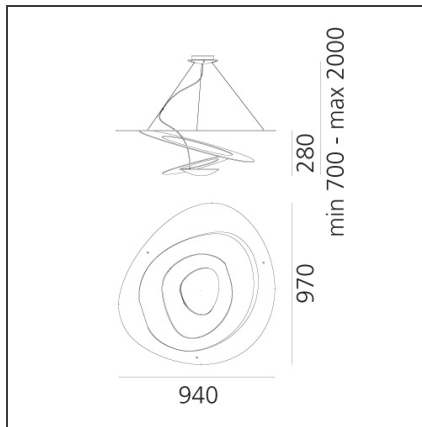
Giuseppe Maurizio Scutellà

DESCRIPTION

Pirce's award-winning design is one of Artemide's top sellers. Originally released in halogen, its light source has been reimagined to incorporate a high quality, energy-efficient LED light source.

Pirce is not only an elegant light source, it is an alluring decoration with a strong sense of presence turned on or off. Its slim disc merges softly into flowing twirls that spiral downwards to create alluring lighting effects.

DESSINS TECHNIQUES



CARACTÉRISTIQUES

Code Article :	1239010A	Matériaux:	Aluminum
Couleur:	White	Séries:	Design
Installation:	Suspension	Type de projet:	Résidentiels
Environnement:	Indoor	Emission:	Indirecte

DIMENSIONS

Longueur :	cm 94	Test au fil incandescent:	650
Largeur:	cm 97		
Hauteur:	cm 28		
Hauteur max. du plafond:	cm 200		

SOURCE NON INCLUSE

Catégorie:	HALO	Température de Couleur (K):	2950K
Nombre:	1	Class:	A
Watt:	330W		
Lbs:	R7s		

SOURCES ALTERNATIVES

Catégorie:	LED
Nombre:	1
Watt:	11w
Flux Lumineux (lm):	1110lm
Typologie:	2
Culot:	R7s
Class:	A

LUMINAIRE

Watt:	330W	Flux Lumineux (lm):	6433lm
Tension:	220V-240V	Efficiency:	71%
		Efficacy:	16.08lm/W
		CRI:	0