

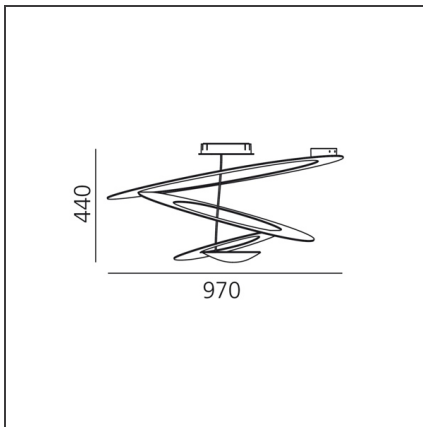
## Pirce Ceiling - White



IP20

Dimmable: + -

### DESSINS TECHNIQUES



### DESSINÉ PAR

Giuseppe Maurizio Scutellà

### DESCRIPTION

Pirce's award-winning design is one of Artemide's top sellers. Originally released in halogen, its light source has been reimaged to incorporate a high quality, energy-efficient LED light source.

Pirce is not only an elegant light source, it is an alluring decoration with a strong sense of presence turned on or off. Its slim disc merges softly into flowing twirls that spiral downwards to create alluring lighting effects.

### CARACTÉRISTIQUES

<b>Code Article :</b>	1242010A	<b>Matériaux:</b>	Aluminum
<b>Couleur:</b>	White	<b>Séries:</b>	Design
<b>Installation:</b>	Plafonnier	<b>Type de projet:</b>	Résidentiels
<b>Environnement:</b>	Indoor	<b>Emission:</b>	Indirecte

### DIMENSIONS

<b>Largeur:</b>	cm 97	<b>Test au fil incandescent:</b>	650
<b>Hauteur:</b>	cm 44		

### SOURCE NON INCLUDE

<b>Catégorie:</b>	HALO	<b>Température de Couleur (K):</b>	2950K
<b>Nombre:</b>	1	<b>Class:</b>	A
<b>Watt:</b>	330W		
<b>Lbs:</b>	R7s		

### SOURCES ALTERNATIVES

<b>Catégorie:</b>	LED
<b>Nombre:</b>	1
<b>Watt:</b>	11w
<b>Flux Lumineux (lm):</b>	1110lm
<b>Typologie:</b>	2
<b>Culot:</b>	R7s
<b>Class:</b>	A

### LUMINAIRE

<b>Watt:</b>	330W	<b>Flux Lumineux (lm):</b>	6433lm
<b>Tension:</b>	220V-240V	<b>Efficiency:</b>	71%
		<b>Efficacy:</b>	16.08lm/W