

# TREKU



## Lauki Collection

PRODUCT DATA SHEET

1901

1/3

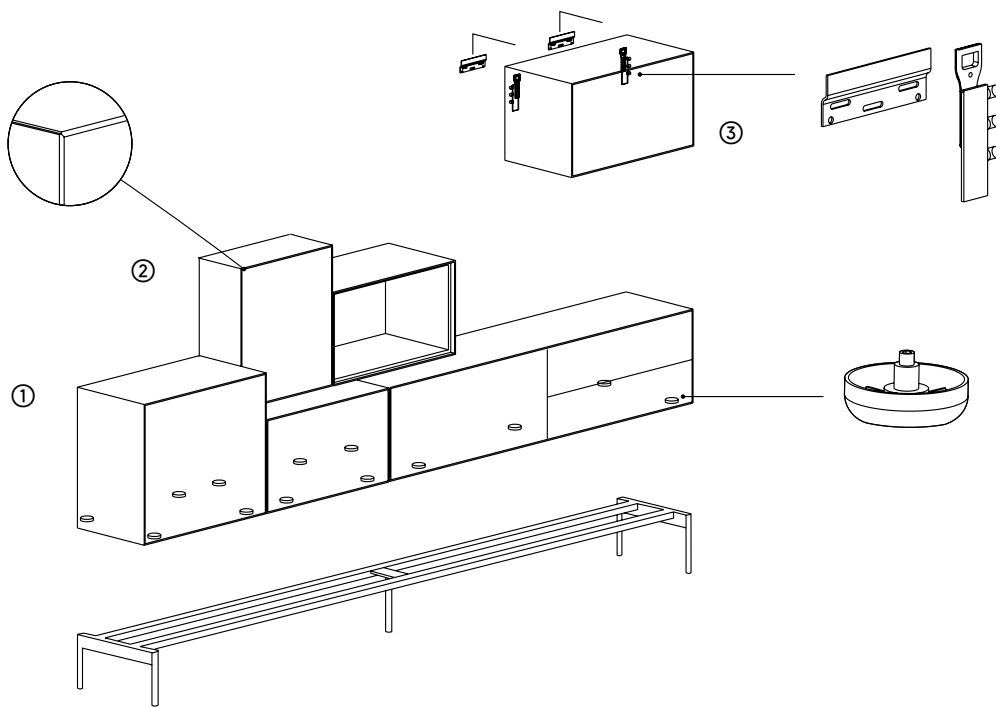
**Model:** Lauki  
**Manufactured in:** Spain-Europe (EU)  
**Designers:** Ibon Arrizabalaga

The aesthetic subtlety of this collection draws you to it and invites you to touch and contemplate it. A thin half-centimeter frame envelopes the entire piece, outlining the push-to-open drawers that lend a touch of imagination and resolution to a design that is easy to admire yet difficult to materialise.

The Lauki collection is made up of multiple boxes that can be arranged on the floor, piled on top of one another or hung from the wall. Moreover, these boxes are available in a wide range of different measurements, finishes and functions (drawers, doors, open modules, etc.), thus enabling you to create an endless variety of configurations to suit any room. For example, the same module can be used as a bedside table or an office drawer unit. With just a few different modules, you can design a solution for an entrance hall or any other room in the house. And by putting a larger number of them together, you can create a TV unit, sideboard or even a filing cabinet for the office.

## 1. Configuration

---



**1**

Floor units: over small plastic feet and over metallic frame with legs.

**2**

Stacking units.

**3**

Hanging wall units.

## 2. Materials

---

### Legs:

Metal: Steel coated with epoxy paint. Provided with height adjusters.

### Units:

Wood: Particleboard covered with natural wood veneer. Edges in wood veneer. Faces coated with UV cured acrylic and edges varnished with polyurethane.

Lacquer: Particleboard covered with DM. Base coat UV varnish and finished with acrylic lacquer.

### Clips:

Steel plate covered with epoxy paint.

### Hardware:

Hettich tracks and Blum hinges.

## 3. Finishes

---

### Outside:

Treku Wood  
Treku lacquers

### Interior:

Treku Wood  
Treku lacquers

## 4. Product maintenance

---

For cleaning use a cloth moistened with water. Do not use solvents or cleaning products. Avoid placing penetrating liquids, essential oils, perfumes, on top of the furniture.

## 5. Packaging and transportation

---

All our products are duly packaged (cardboard, foams and Styrofoam). Our carriers are the most demanding for the characteristics of our products.

## 6. Assembly instructions

---

All our products include assembly instructions for their correct installation.

See attached document.

Units and chest of drawers are assembled at the factory.

For any technical question, do not hesitate to contact our technical department.

## 7. Warranty

---

The products have 2 years guarantee as long as its installation is carried out by professionals of the sector and the use of the material is adequate. Treku accepts no liability for any incident arising from the mishandling of the products supplied.

Wood, being a natural product, may have small differences in texture, color and pattern. Treku is not responsible for any minor differences that may arise.

Because of its natural origin, the wood with time may suffer differences in color and texture, so we cannot ensure homogeneity of color in additional orders.