

# TREKU



## Aura Collection

PRODUCT DATA SHEET

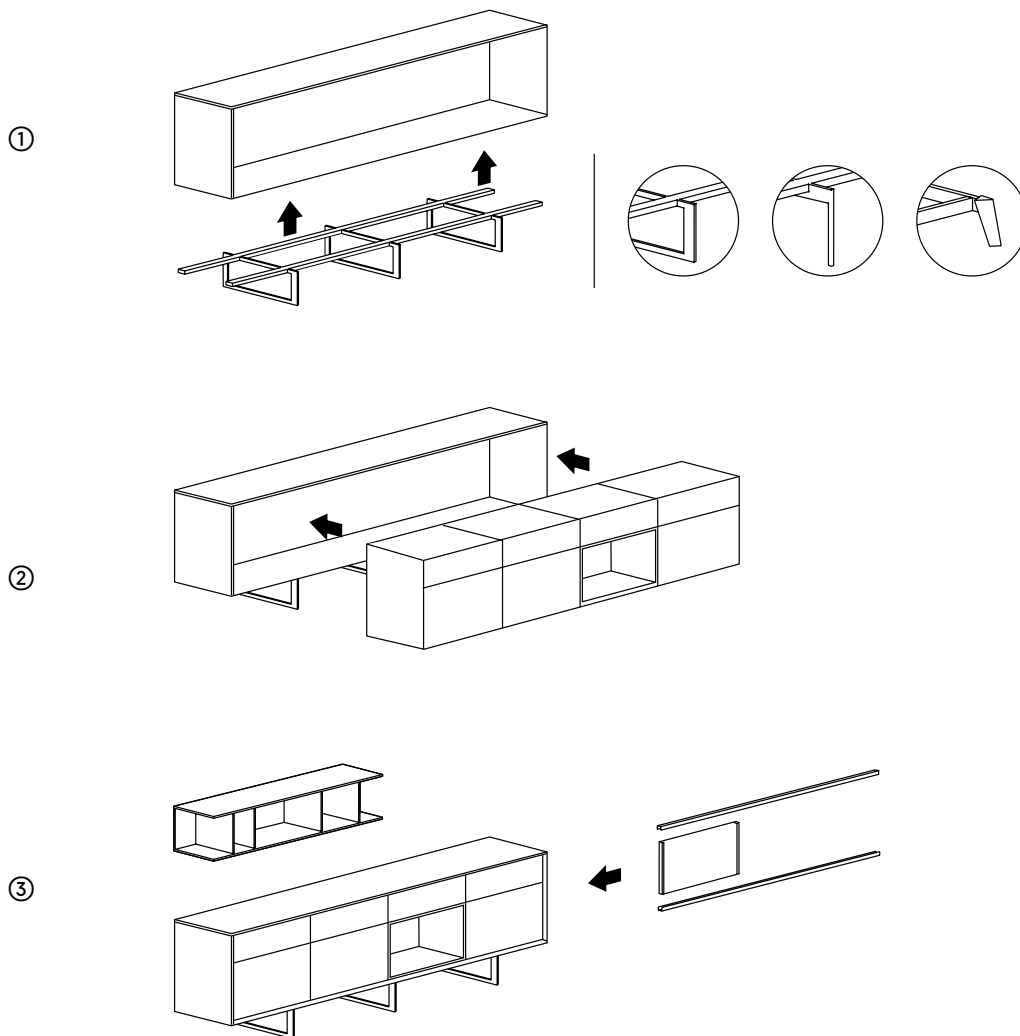
1901

1/3

**Model:** Aura  
**Manufactured in:** Spain-Europe (EU)  
**Designers:** Angel Marti/Enrique del Amo

The Aura collection has been conceived mainly for sideboards and furniture for living rooms and dining rooms. Its design is inspired by the past and under the influence of the design culture of the Nordic countries, which know how to combine tradition and naturalness with large doses of modernity. The result: a collection full of memories that gives off a very modern aura. The metal and wood legs designed especially for the collection reinforce that retro and timeless look. The finish is very important: walnut and oak wood with a hyper-natural finish and a lacquered look which combine perfectly well with the wood.

## 1. Composition



**1**

Choose dimensions of frame and add plastic, wooden or metal legs.

**2**

Place units in frame.

**3**

Optional: add sliding doors or wall-mounted units.

## 2. Materials

---

### Legs

**Metal:** Steel coated with epoxy paint. Provided with height adjusters.

**Wood:** Beech solid wood covered with wood veneer. Coated with polyurethane varnish.

### Frame

**Wood:** Particleboard covered with natural wood veneer. Edges in wood veneer. Faces coated with UV cured acrylic and edges varnished with polyurethane.

**Lacquer:** Particleboard covered with DM. Base coat UV varnished and finished with acrylic.

### Units

#### A) Open units:

**Wood:** Particleboard covered with natural wood veneer. Edges in wood veneer. Faces coated with UV cured acrylic and edges varnished with polyurethane.

**Lacquer:** Particleboard covered with DM. Base coat UV varnished and finished with acrylic.

#### B) With doors and drawers:

**Exterior:** Wood: Particleboard covered with natural wood veneer. Edges in wood veneer. Faces coated with UV cured acrylic and edges varnished with polyurethane.  
Lacquer: Particleboard covered with DM. Base coat UV varnished and finished with acrylic

**Interior:** Melamine board with open pore finishing.  
Glass sliding doors: 4mm tempered glass.  
Hardware: Hettich tracks and Blum hinges.

#### C) Glass sliding doors: 4mm tempered glass

#### D) Hardware: Hettich tracks and Blum hinges

## 3. Finishes

---

### Exterior:

Treku Woods  
Treku Lacquers  
Fumé glass  
Dark grey glass

### Interior:

Graphite laminate

## 4. Product maintenance

---

For cleaning use a cloth moistened with water. Do not use solvents or cleaning products. Avoid placing penetrating liquids, essential oils, perfumes, on top of the furniture.

## 5. Packaging and transportation

---

All our products are duly packaged (cardboard, foams and styrofoam). Our carriers are the most demanding for the characteristics of our products.

## 6. Assembly instructions

---

All our products include assembly instructions for their correct installation.

See attached document.

Units and chest of drawers are assembled at the factory. For any technical question, do not hesitate to contact our technical department.

## 7. Warranty

---

The products have 2 years guarantee as long as its installation is carried out by professionals of the sector and the use of the material is adequate. Treku accepts no liability for any incident arising from the mishandling of the materials supplied.

Wood, being a natural product, may have small differences in texture, color and pattern. Treku is not responsible for any minor differences that may arise.

Because of its natural origin, the wood with time may suffer differences in color and texture, so we cannot ensure homogeneity of color in additional orders.