

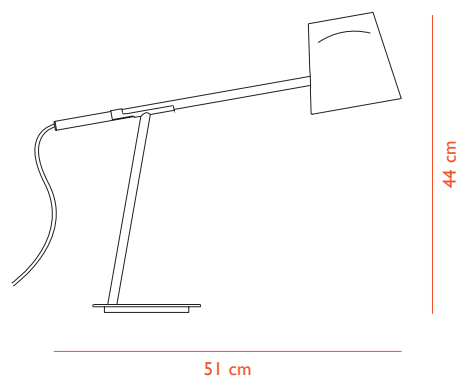
MOMENTO

EU Version



normann
COPENHAGEN

Momento Table Lamp - EU Version



DESCRIPTION

The Momento table lamp is the designers Daniel Debiassi and Federico Sandri's idea of a new and simplified version of the classic office lamp. In Momento's design, the typical technical office lamp details have been replaced by an elegantly balanced architecture, which is easy to adjust to the lighting need of the moment.

DESIGN

Daniel Debiassi & Federico Sandri, 2016

MATERIAL

Powder Coated Metal

CONSTRUCTION

Momento's lampshade is held by a metal stick, which rests on a tilted pole base. The parts are connected with a semi-locked construction, so that the top stick can be turned and moved manually. The table lamp has been designed with a permanently integrated energy-efficient LED lighting source and integrated dispersion lens. A circular dimmer is placed on the side of the lamp shade.

MAINTENANCE

Clean with damp cloth. Avoid use of all-purpose cleaners and other degreasing detergents.

CORD

2 m textile cord, matching color (white / grey / black / petrol green).

DIMMABLE FUNCTION

Yes, 4-steps touch dimmer.

VOLTAGE
220-240 V

MAX LOAD
5.4 W

FREQUENCY
50/60 Hz

IP RATING
IP20

CLASSIFICATION
Class III

LIGHT SOURCE - INCLUDED

LED included: SMD2835

Power: 5,4 W

CCT: 3000 K ± 2000 K

Output: 350 lm

Lifetime: 30 000 h

CRI: ~ 80

LED DRIVER

PRI: 100-240 V - 50/60 Hz

SEC: DC3-25 V 350 mA

Load: 7 W (Max)

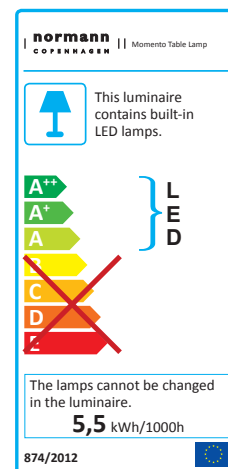
GENERAL STANDARD & CERTIFICATES

EN 60598-2-4: 1997

EN 60598-1: 2015

EN 62031: 2008+A1: 2013+A2: 2015 EN 62471: 2008

EN 62493: 2015



COLOR



White



Grey



Black



Petrol Green

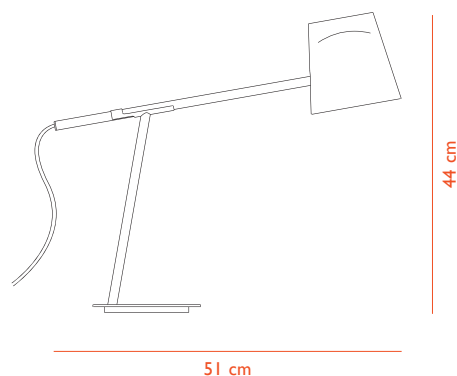
MOMENTO

US Version



normann
COPENHAGEN

Momento Table Lamp - US Version



DESCRIPTION

The Momento table lamp is the designers Daniel Debiasi and Federico Sandri's idea of a new and simplified version of the classic office lamp. In Momento's design, the typical technical office lamp details have been replaced by an elegantly balanced architecture, which is easy to adjust to the lighting need of the moment.

DESIGN

Daniel Debiasi & Federico Sandri, 2016

MATERIAL

Powder Coated Metal

CONSTRUCTION

Momento's lampshade is held by a metal stick, which rests on a tilted pole base. The parts are connected with a semi-locked construction, so that the top stick can be turned and moved manually. The table lamp has been designed with a permanently integrated energy-efficient LED lighting source and integrated dispersion lens. A circular dimmer is placed on the side of the lamp shade.

MAINTENANCE

Clean with damp cloth. Avoid use of all-purpose cleaners and other degreasing detergents.

CORD

2 m textile cord, matching color (white / grey / black / petrol green).

DIMMABLE FUNCTION

Yes, 4-steps touch dimmer.

VOLTAGE

120V

MAX LOAD

5.4 W

FREQUENCY

60 Hz

IP RATING

IP20

CLASSIFICATION

Class III

LIGHT SOURCE - INCLUDED

LED included: SMD2835

Power: 5,4 W

CCT: 3000 K ± 2000 K

Output: 350 lm

Lifetime: 30 000 h

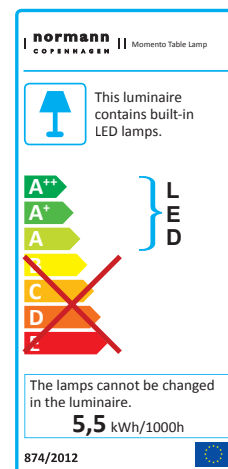
CRI: ~ 80

LED DRIVER

PRI: 100-240V - 50/60Hz

SEC: DC3-25V 350 mA

Load: 7 W (Max)



COLOR



White



Grey



Black



Petrol Green